

Mandarin Pendant, Tu

Inspired by Wu Xing 五行, the ancient philosophy of balance in life. Terracotta represents Tu 土 — earth, symbolizing stability and good fortune. Finished with a layer of oil, the lantern has a smooth satin sheen.

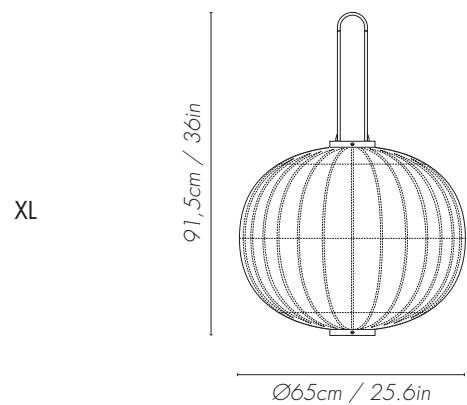
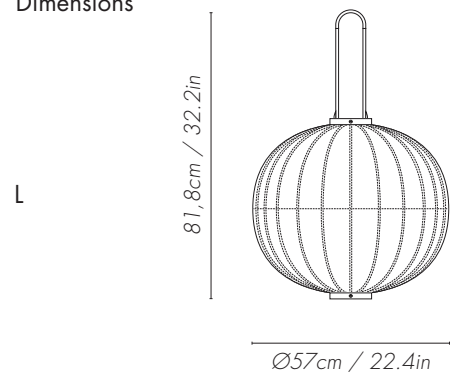
Product specifications

The lanterns are handcrafted and may slightly vary in shape, hue and character.

Five weeks and 190 processes | 6 artisans | 90% natural materials

Reference	HU01M
Materials	Walnut, Bamboo, Copper, Hand-colored Fabrics, Brass-finish metal
Certification	CE-Certified
Cord length	200cm/78.7in
Lighting source	Socket: E-27 (E26 for US) Max wattage: 40W

Dimensions



Care and cleaning

To clean the lanterns, gently dust top to bottom with a soft duster. Avoid chemical cleaners.